

THE BOS

BOSST500

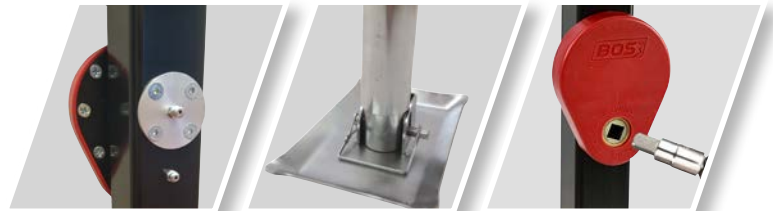
BOSST500

SPECIFICATION SHEET

Patent No: 201418505

BOS Stabilising Leg

- > Replaces your existing square stabiliser legs
- > Powerful enough to lift your van or trailer off the ground to change a flat tyre
- > Choice of 45° or 90° positions
- > Operate easily by hand or cordless drill with drive set thanks to the patented BOS gearbox
- > Australian made & owned
- > Unique BOS PUSH/PULL Handle® makes release & positioning easy
- > Weight is transferred to the base (NOT onto the pivot bolt)
- > High quality components for extended life
 - temperature rated grease withstands extremes of hot and cold
 - steel caged bearings
 - heavy duty, rust proof gears
 - UV stable plastics
- > Grease nipple
- > Large base plate can be angled and rotated for maximum stability
- > Extensions available for extra height when needed
- > 12 month full replacement warranty

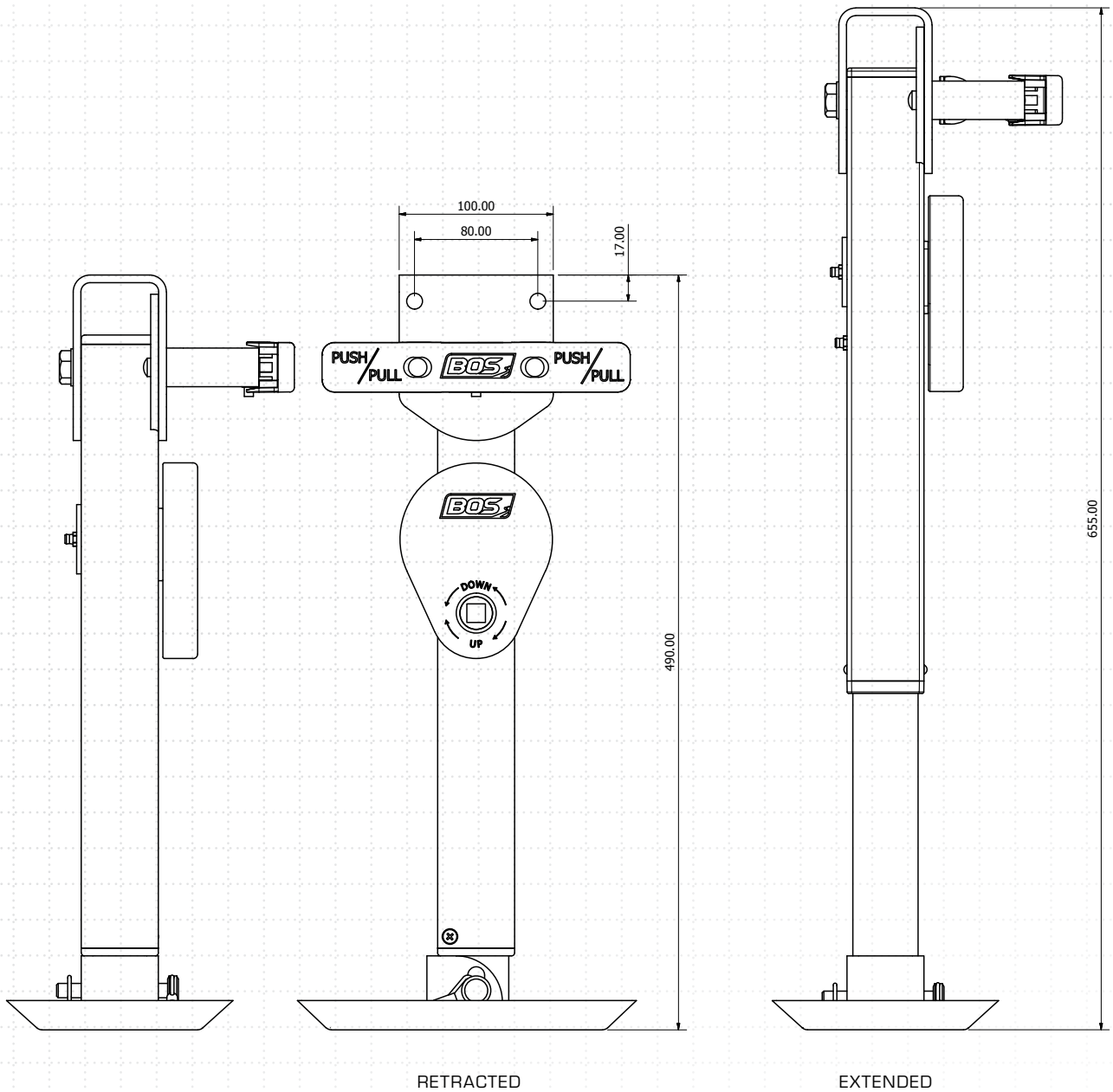
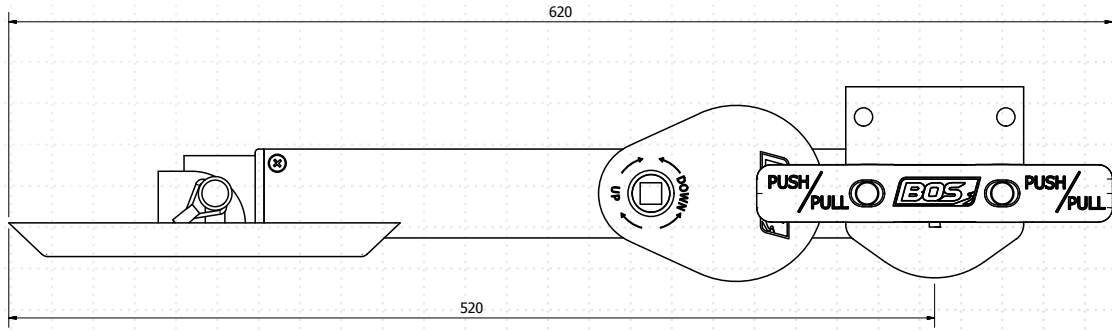


• Grease nipple • Weight on base plate • 12mm square drive



Levelling made easy 

BOS Jockey Wheels & Accessories Pty Ltd
6 Dunheved Circuit, St Marys NSW 2760 P: 02 9623 6922
E: sales@bos370.com.au www.bos370.com.au



RETRACTED

EXTENDED

DIMENSIONS in Millimeters