

372-004  
JOCKEY STANDARD 2 RIB - 6" STANDARD SOLID RUBBER WHEEL

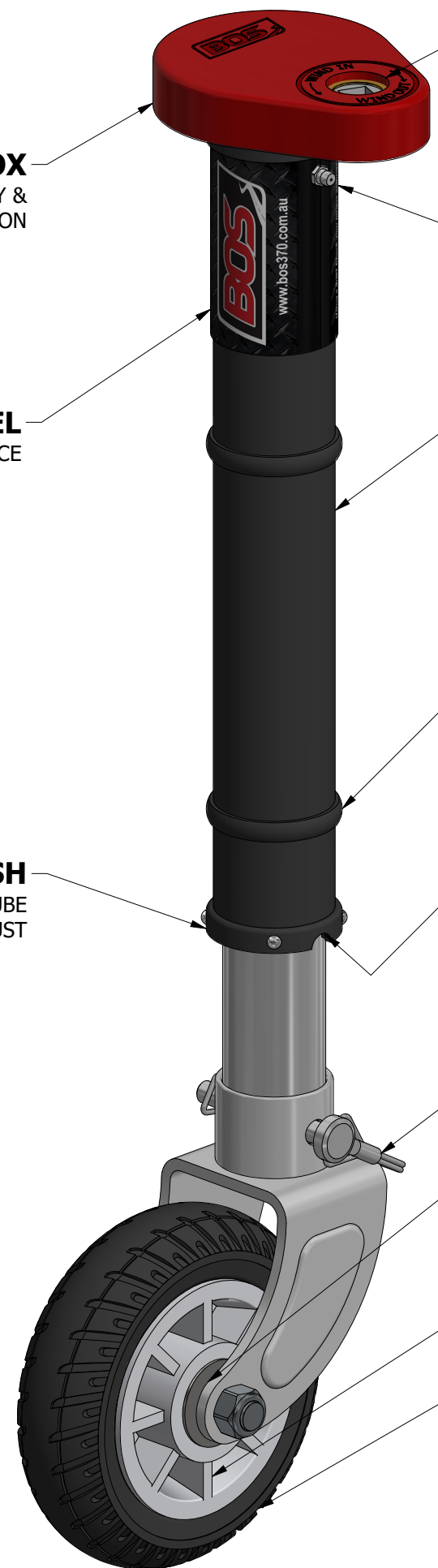


Travel made easy

372-004

# JOCKEY STANDARD 2 RIB - 6" STANDARD SOLID RUBBER WHEEL

SPECIFICATIONS - KEY FEATURES



**12mm INPUT (NOT 1/2")**  
UNIQUE SIZE GIVES ADDED SECURITY

**PATENTED BOS GEARBOX**  
MAKES WINDING BY HAND EASY &  
ALLOWS DRILL OPERATION

**GREASE NIPPLE**  
PROVIDES GREASE TO BEARING AND THREAD

**BOS LABEL**  
AUSTRALIAN QUALITY AND SERVICE

**QUALITY AUSTRALIAN POWDER COATED**

**MACHINED LUGS FROM HEAVY WALLED PIPE**  
IN EQUAL SPACING FOR ADJUSTABLE HEIGHT

**GUIDE BUSH**  
FOR RIGIDITY OF THE INNER TUBE  
& SEAL OUT MOISTURE/DUST

**LOCKING SLOT FOR TRAVELING**

**QUICK RELEASE LYNCH PIN**

**DOUBLE BALL BEARING**

**HEAVY DUTY MOULDED PLASTIC HUB**

**6" (150mm) SOLID DENSE RUBBER WHEEL**  
WITH MOULDED TREAD

- THIS 2-RIB UNIT, 372-SERIES IS IDEAL FOR LOW DRAWBARS
- IDEAL FOR SINGLE CLAMPS
- IDEAL FOR SINGLE CLAMPS WITH 2 OR 3 SLOTS IN THEM
- THE 6" SINGLE WHEEL IS GREAT FOR HARD SURFACES
- IT IS ONLY GOOD FOR NUDGING THE DRAW BAR SIDE WAYS
- ADDITIONAL EXTENSIONS AVAILABLE 120mm



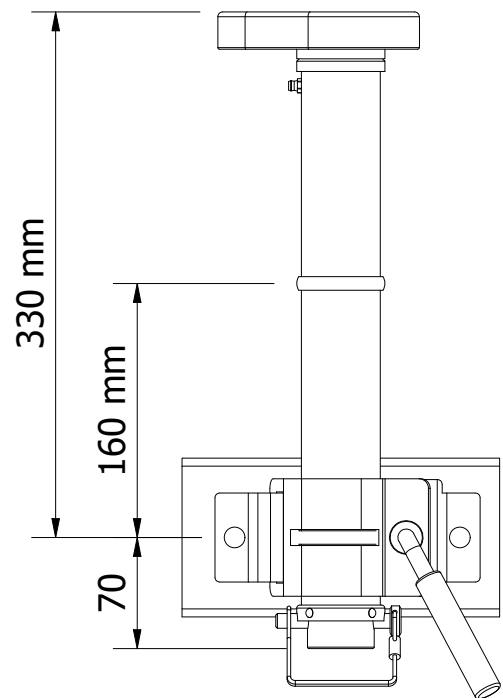
*Travel made easy* 

372-004

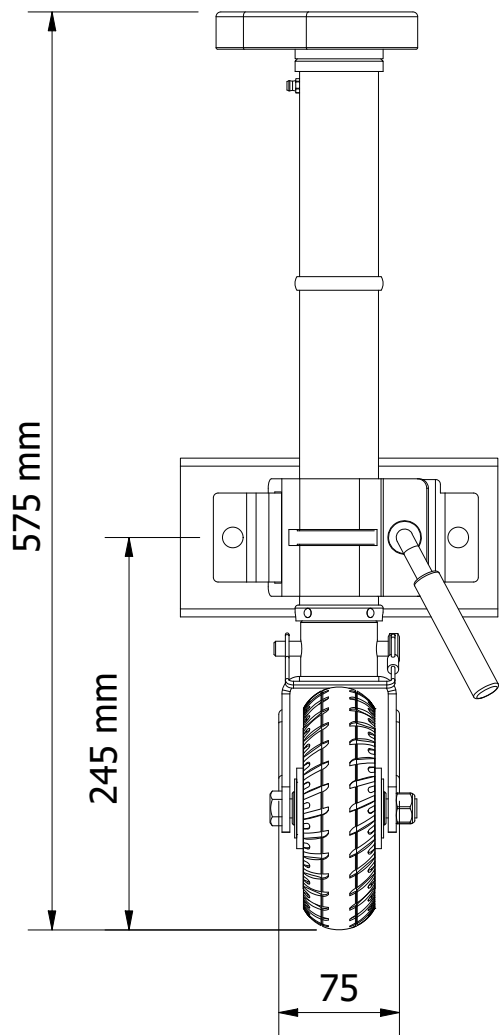
# JOCKEY STANDARD 2 RIB - 6" STANDARD SOLID RUBBER WHEEL

EXTENSION DETAILS - LOWER LUG POSITION

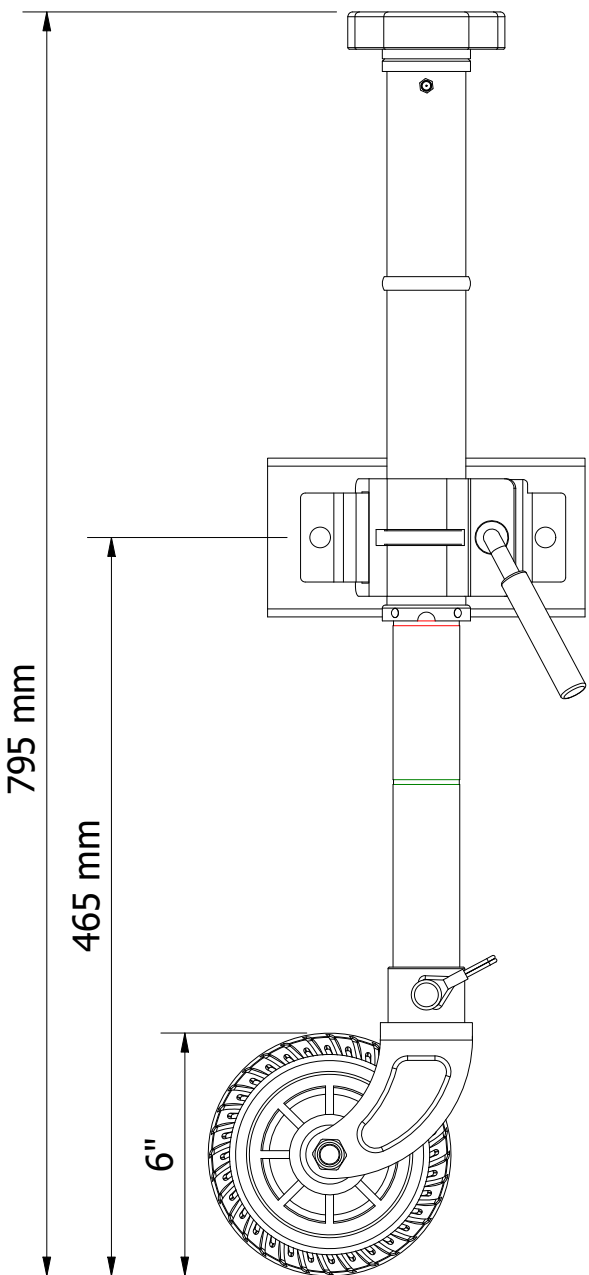
TRAVEL POSITION



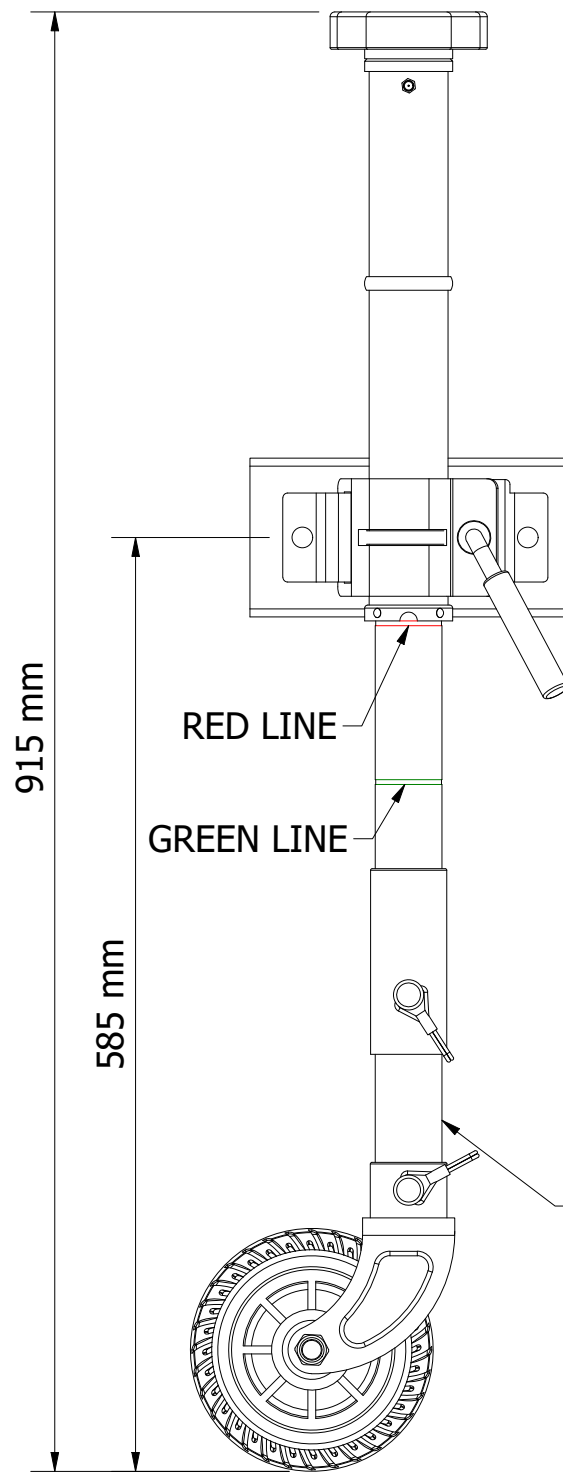
RETRACTED



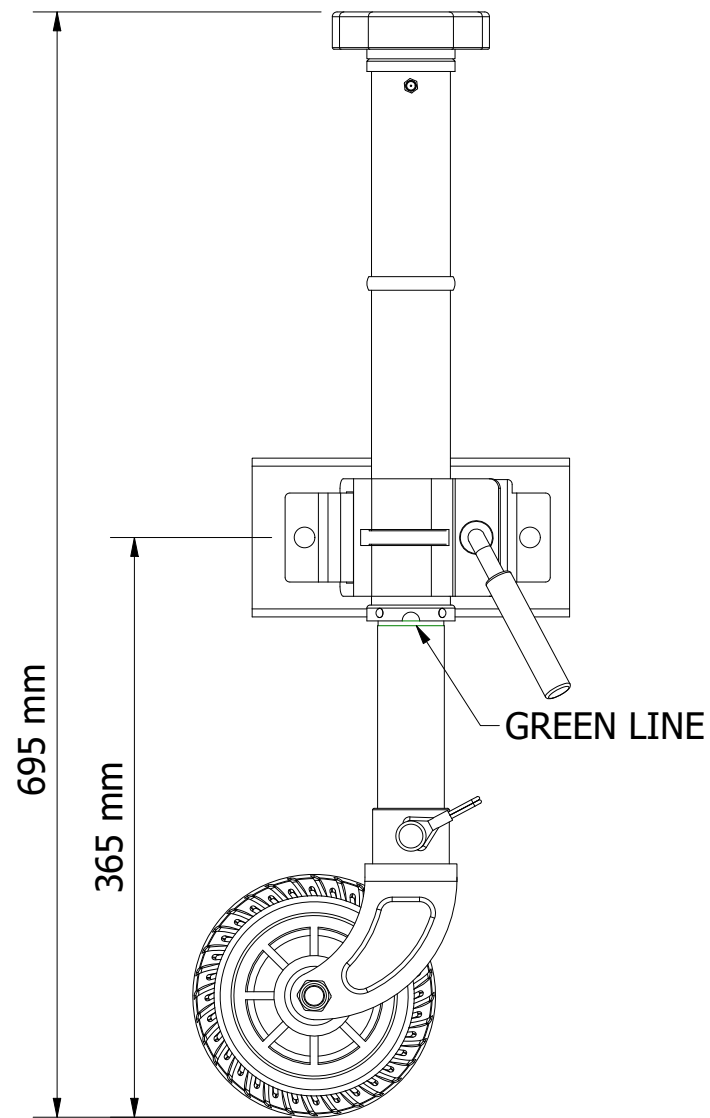
EXTENDED



EXTENDED WITH 120mm EXTENSION



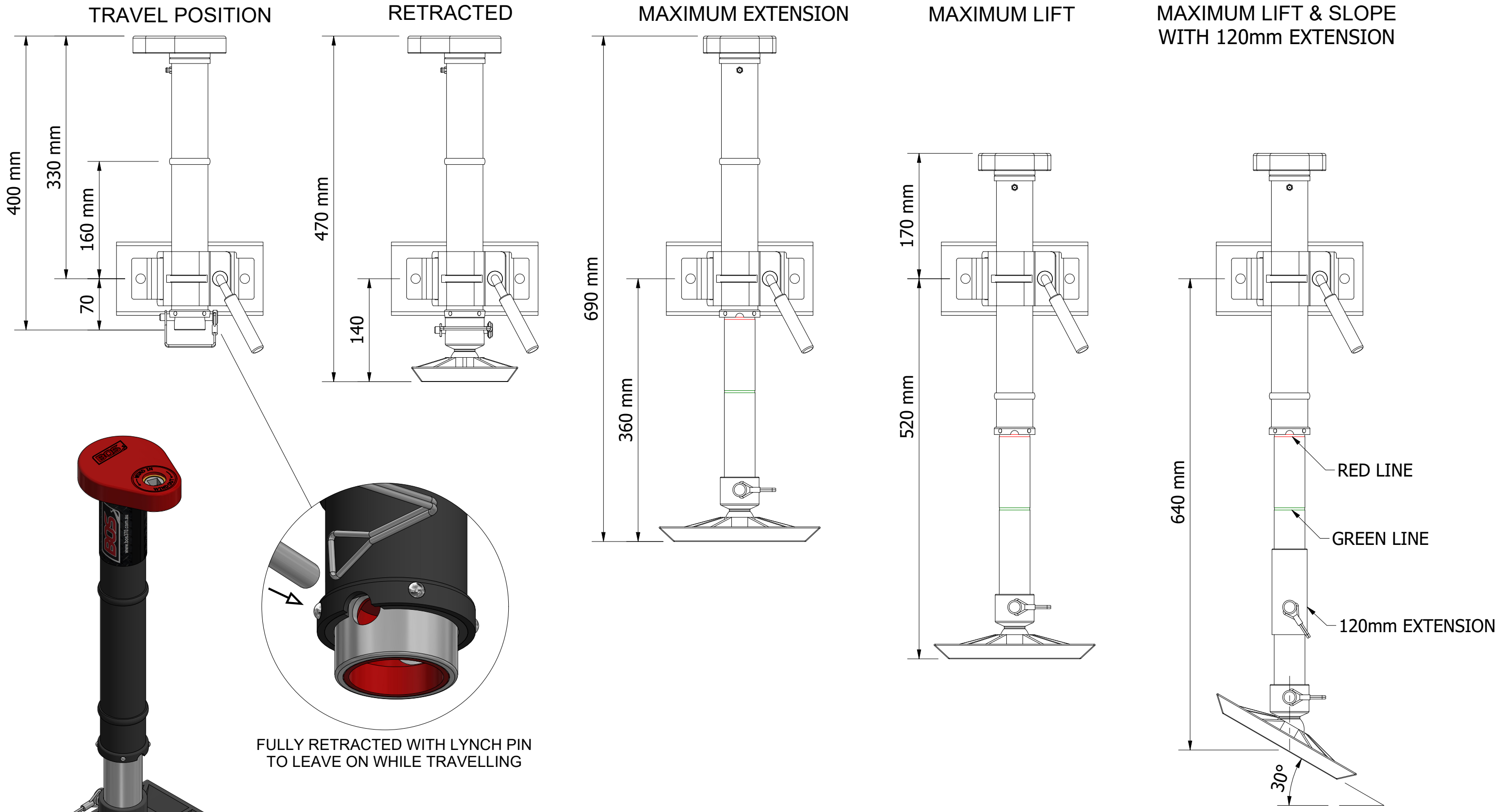
MOVING AROUND



Travel made easy 

# JOCKEY STANDARD 2 RIB

## MAXIMUM LIFT DETAILS



Travel made easy