

372-010
JOCKEY STANDARD 2 RIB - 10" DOUBLE 4x4 SOLID PU WHEEL

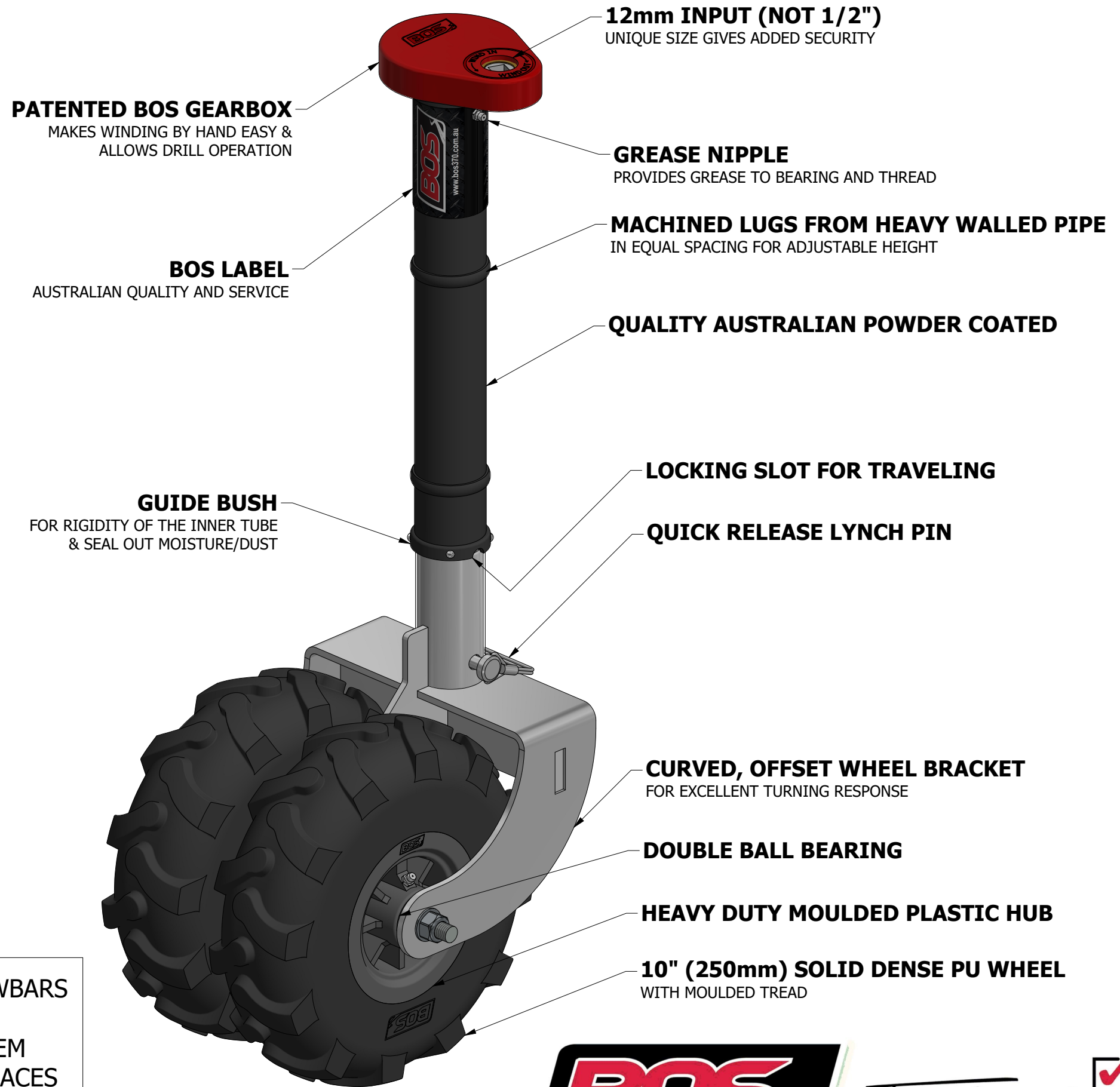


Travel made easy

372-010

JOCKEY STANDARD 2 RIB - 10" DOUBLE 4x4 SOLID PU WHEEL

SPECIFICATIONS - KEY FEATURES



12mm INPUT (NOT 1/2")
UNIQUE SIZE GIVES ADDED SECURITY

PATENTED BOS GEARBOX
MAKES WINDING BY HAND EASY &
ALLOWS DRILL OPERATION

GREASE NIPPLE
PROVIDES GREASE TO BEARING AND THREAD

BOS LABEL
AUSTRALIAN QUALITY AND SERVICE

MACHINED LUGS FROM HEAVY WALLED PIPE
IN EQUAL SPACING FOR ADJUSTABLE HEIGHT

QUALITY AUSTRALIAN POWDER COATED

GUIDE BUSH
FOR RIGIDITY OF THE INNER TUBE
& SEAL OUT MOISTURE/DUST

LOCKING SLOT FOR TRAVELING

QUICK RELEASE LYNCH PIN

CURVED, OFFSET WHEEL BRACKET
FOR EXCELLENT TURNING RESPONSE

DOUBLE BALL BEARING

HEAVY DUTY MOULDED PLASTIC HUB

10" (250mm) SOLID DENSE PU WHEEL
WITH MOULDED TREAD

- THIS 3-RIB UNIT, 372-SERIES IS IDEAL FOR LOW DRAWBARS
- IDEAL FOR SINGLE CLAMPS
- IDEAL FOR SINGLE CLAMPS WITH 2 OR 3 SLOTS IN THEM
- THE 4x4 PU TYRE GREAT FOR GRASS AND SANDY SURFACES
- ALSO YOU WILL NEVER HAVE TO PUMP THEM UP
- ADDITIONAL EXTENSIONS AVAILABLE 120mm

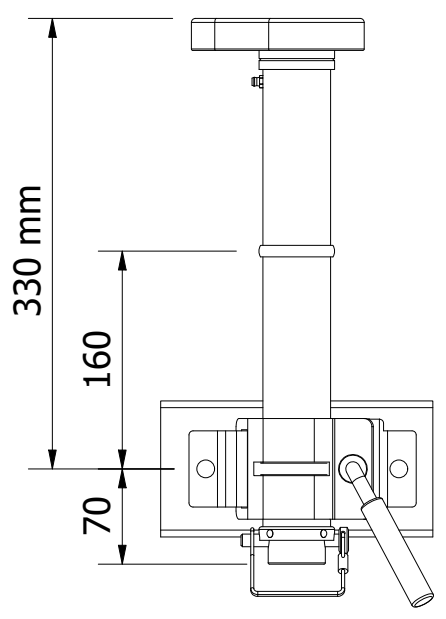


Travel made easy 

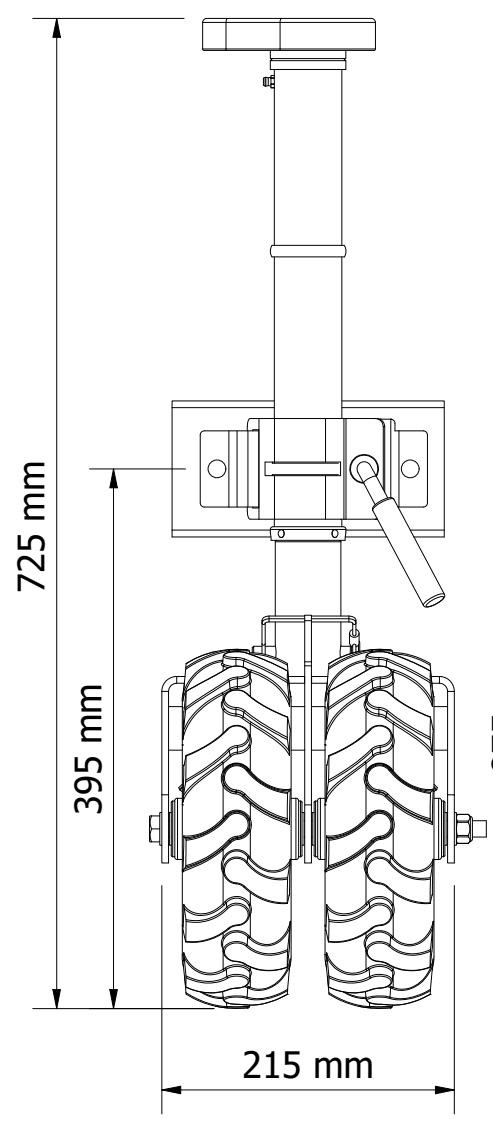
372-010 JOCKEY STANDARD 2 RIB - 10" DOUBLE 4x4 SOLID PU WHEEL

EXTENSION DETAILS - LOWER LUG POSITION

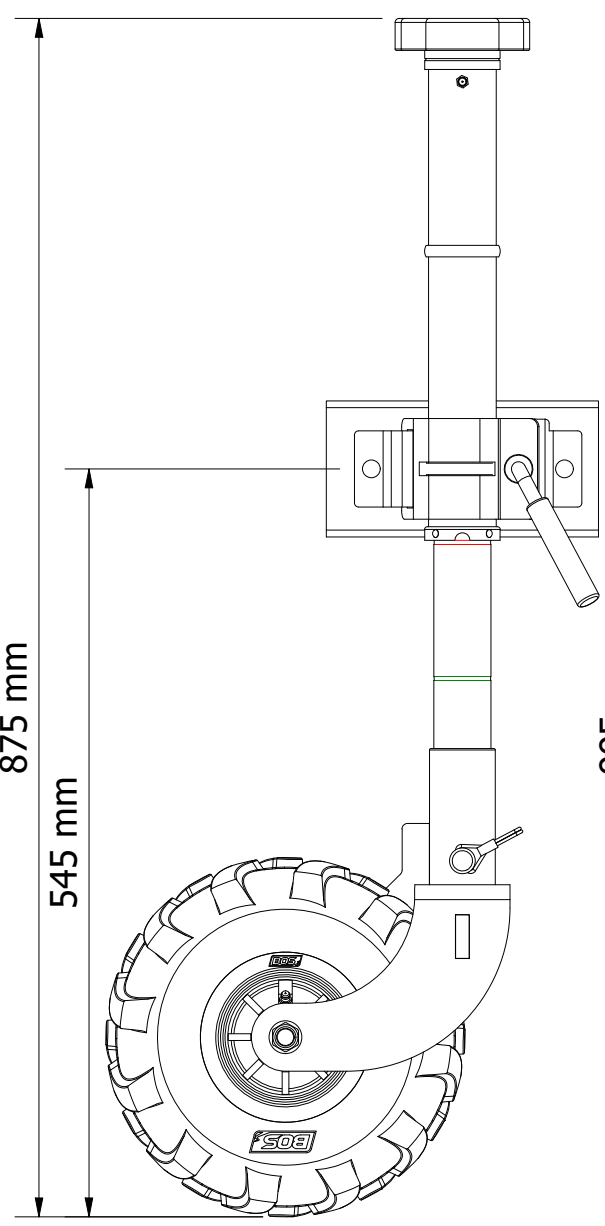
TRAVEL POSITION



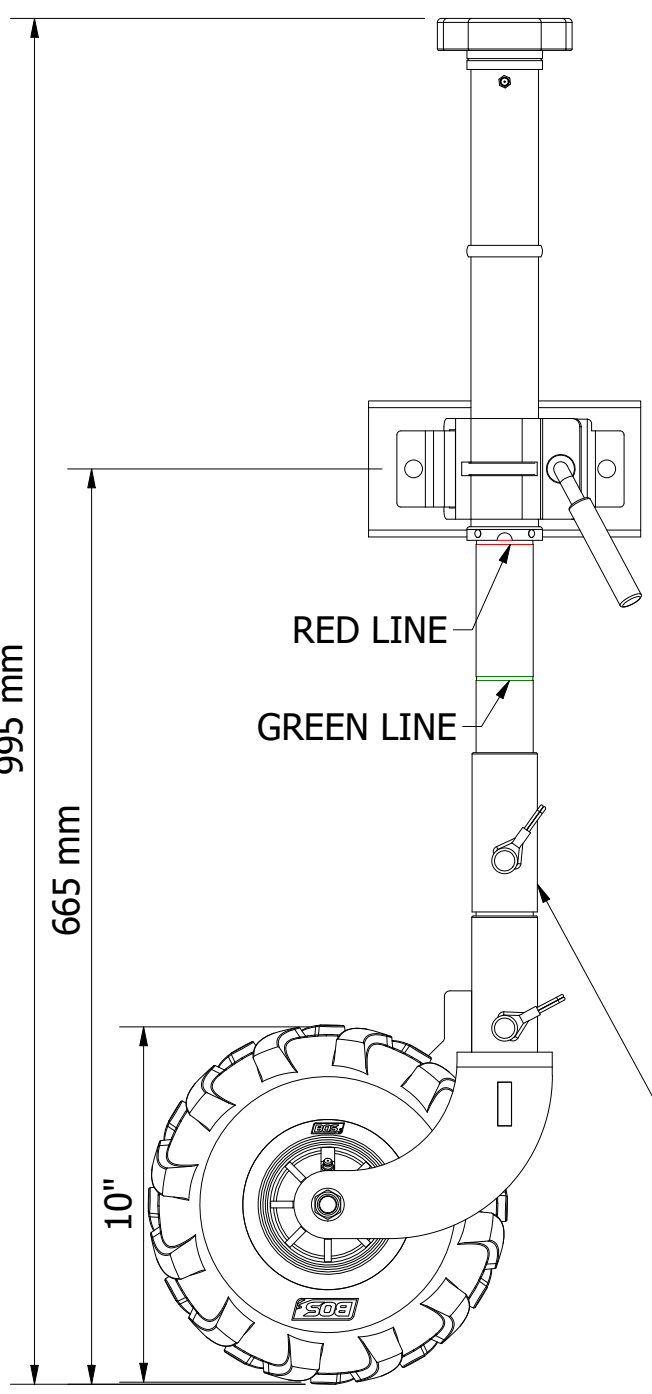
RETRACTED



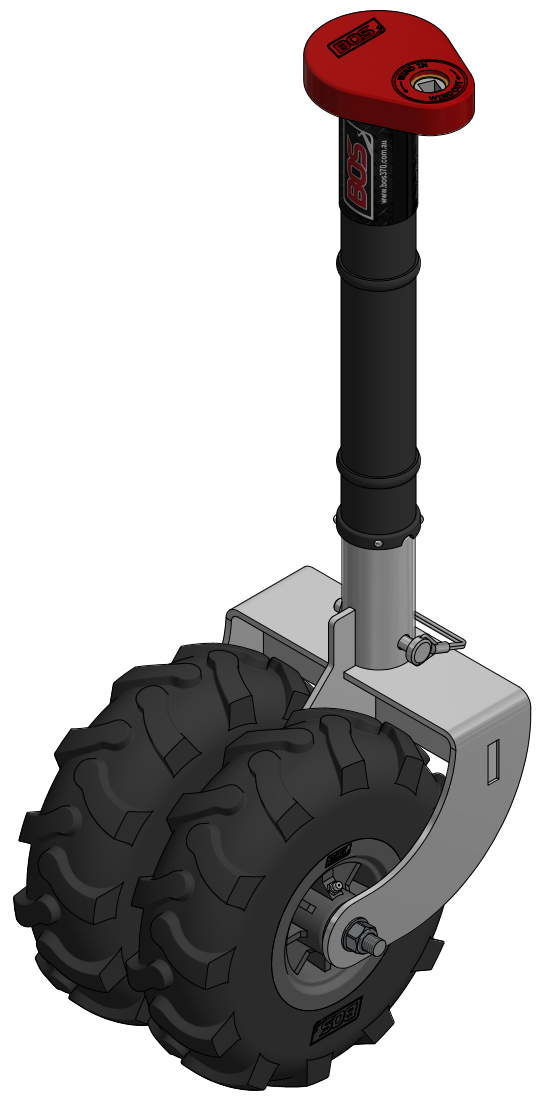
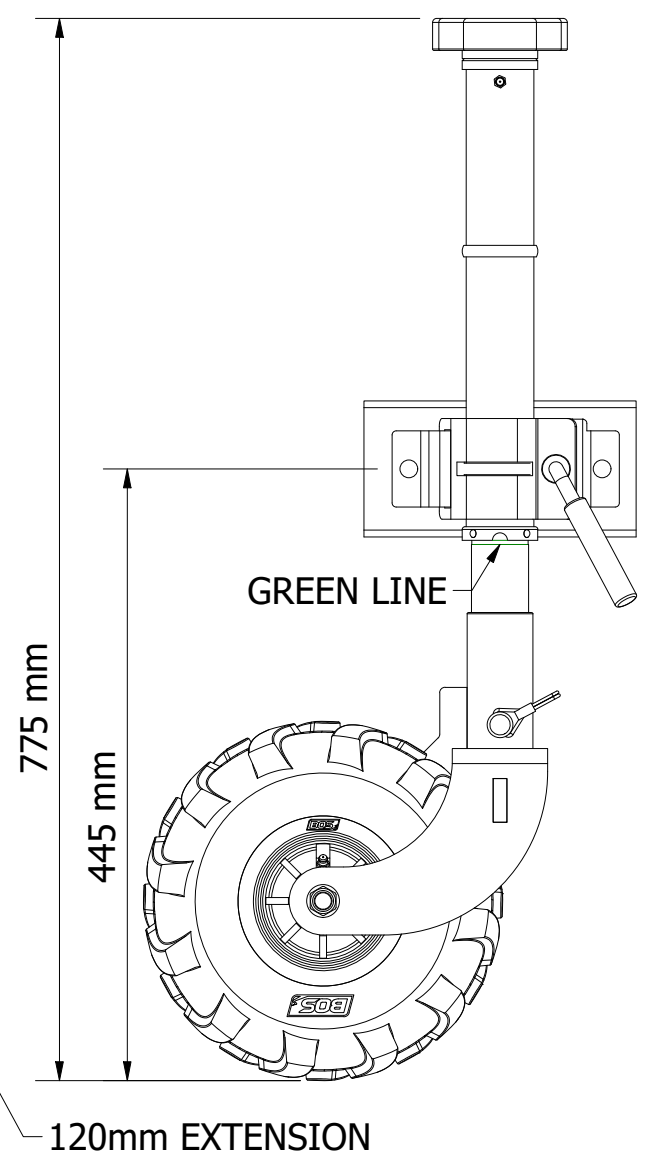
EXTENDED



EXTENDED WITH 120mm EXTENSION



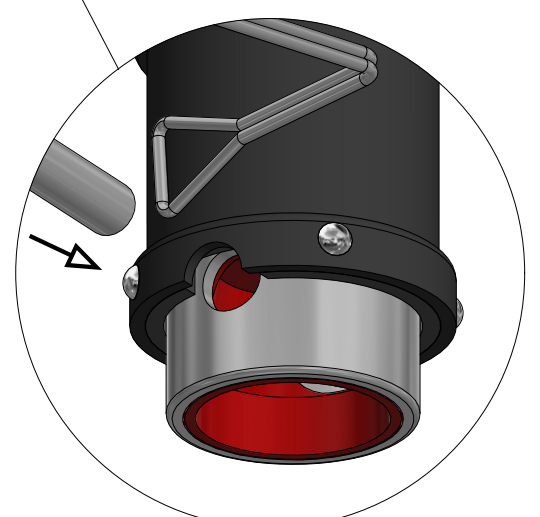
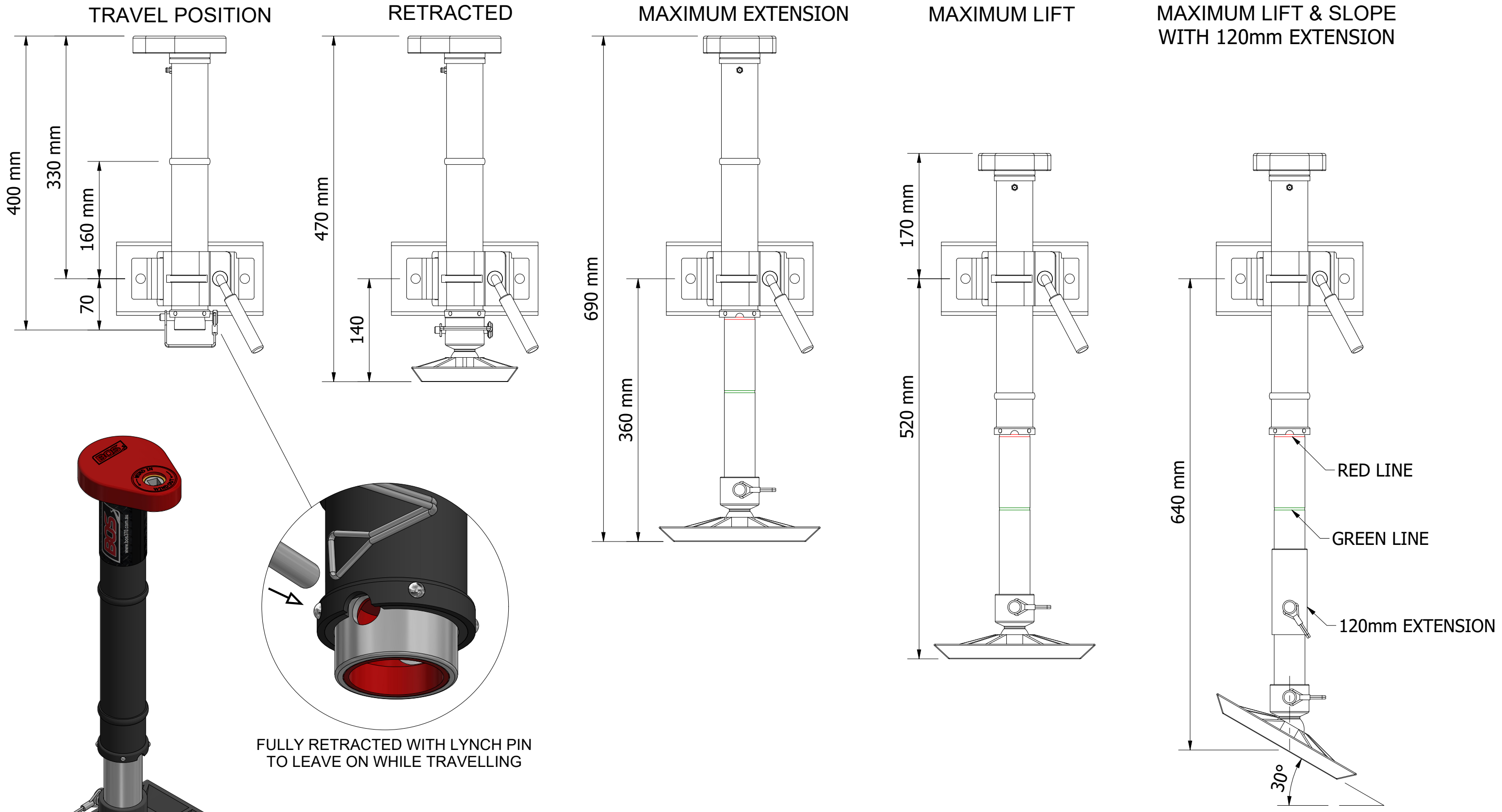
MOVING AROUND



Travel made easy 

JOCKEY STANDARD 2 RIB

MAXIMUM LIFT DETAILS



FULLY RETRACTED WITH LYNCH PIN TO LEAVE ON WHILE TRAVELLING



Travel made easy