

473-005
JOCKEY 500 UNIT 3 RIB - 6" SINGLE OFFSET SOLID RUBBER WHEEL

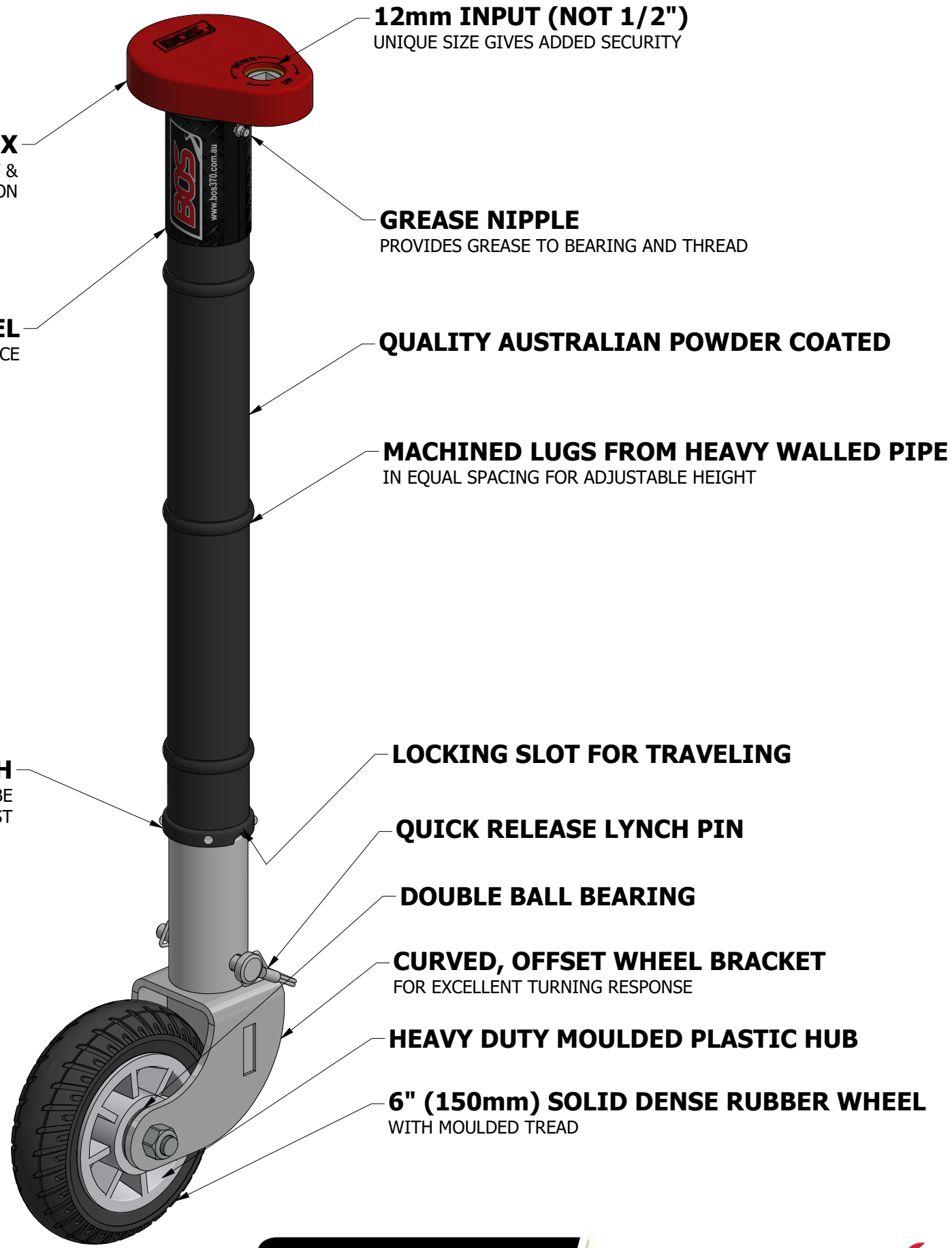


Travel made easy

473-005

JOCKEY 500 UNIT 3 RIB - 6" SINGLE OFFSET SOLID RUBBER WHEEL

SPECIFICATIONS - KEY FEATURES



12mm INPUT (NOT 1/2")
UNIQUE SIZE GIVES ADDED SECURITY

PATENTED BOS GEARBOX
MAKES WINDING BY HAND EASY &
ALLOWS DRILL OPERATION

GREASE NIPPLE
PROVIDES GREASE TO BEARING AND THREAD

BOS LABEL
AUSTRALIAN QUALITY AND SERVICE

QUALITY AUSTRALIAN POWDER COATED

MACHINED LUGS FROM HEAVY WALLED PIPE
IN EQUAL SPACING FOR ADJUSTABLE HEIGHT

GUIDE BUSH
FOR RIGIDITY OF THE INNER TUBE
& SEAL OUT MOISTURE/DUST

LOCKING SLOT FOR TRAVELING

QUICK RELEASE LYNCH PIN

DOUBLE BALL BEARING

CURVED, OFFSET WHEEL BRACKET
FOR EXCELLENT TURNING RESPONSE

HEAVY DUTY MOULDED PLASTIC HUB

6" (150mm) SOLID DENSE RUBBER WHEEL
WITH MOULDED TREAD

- THIS 3-RIB UNIT, 473-SERIES IS IDEAL FOR SEMI AND OFFROAD DRAWBARS
- IDEAL FOR SINGLE CLAMPS
- IDEAL FOR SINGLE CLAMPS WITH 2 OR 3 SLOTS IN THEM
- THE 6" SINGLE WHEEL IS GREAT FOR HARD SURFACES
- IT IS VERY RESPONSIVE FOR MOVERS INSTALLED ON THE VAN
- ALSO GREAT IF YOU MOVE THE VAN BY HAND
- ADDITIONAL EXTENSIONS AVAILABLE 120mm



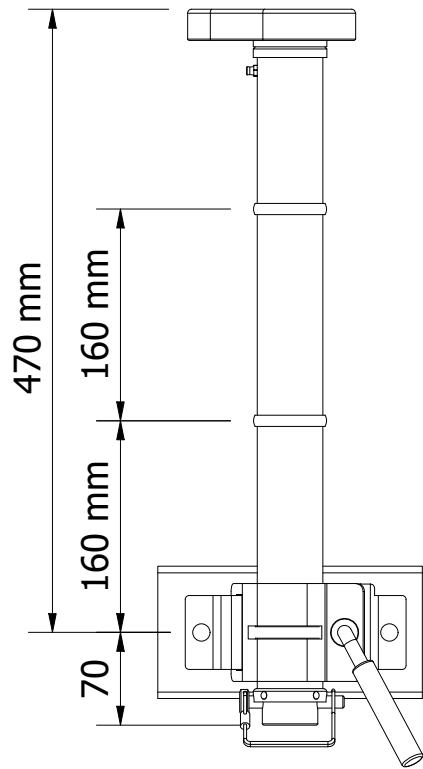
Travel made easy 

473-005

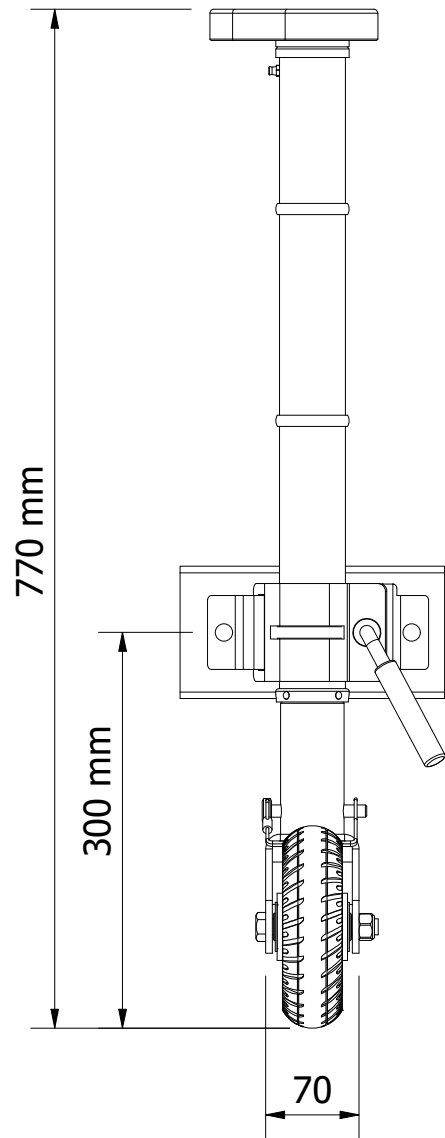
JOCKEY 500 UNIT 3 RIB - 6" SINGLE OFFSET SOLID RUBBER WHEEL

EXTENSION DETAILS - LOWER LUG POSITION

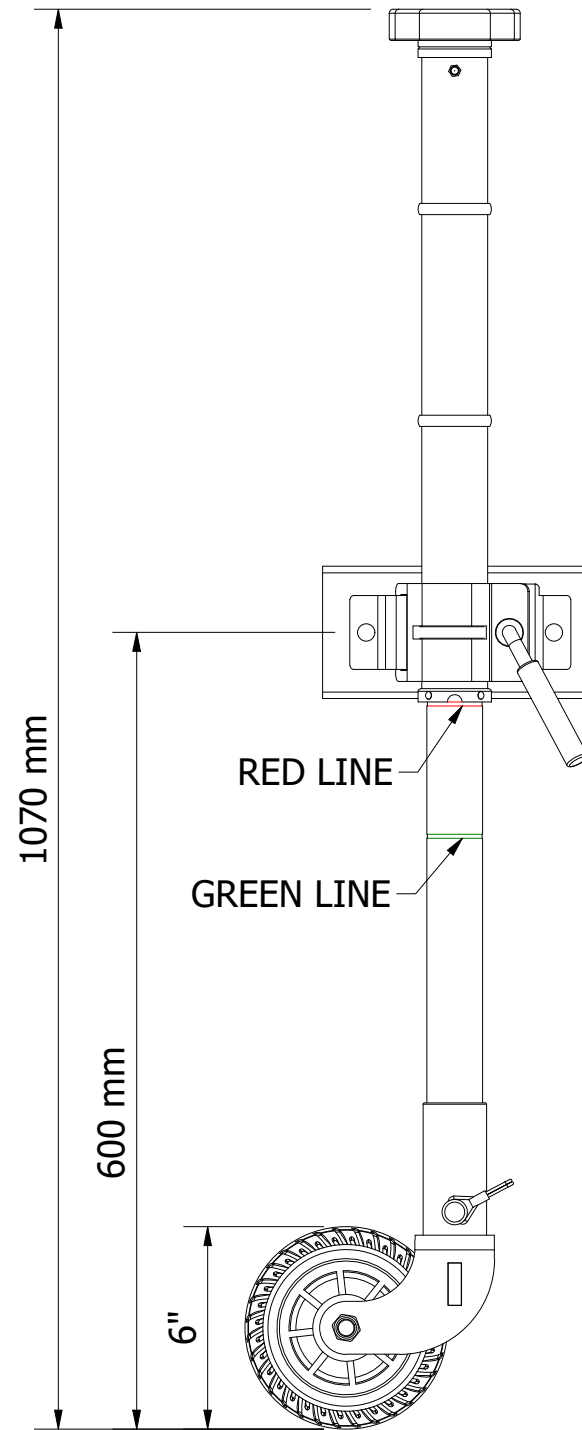
TRAVEL POSITION



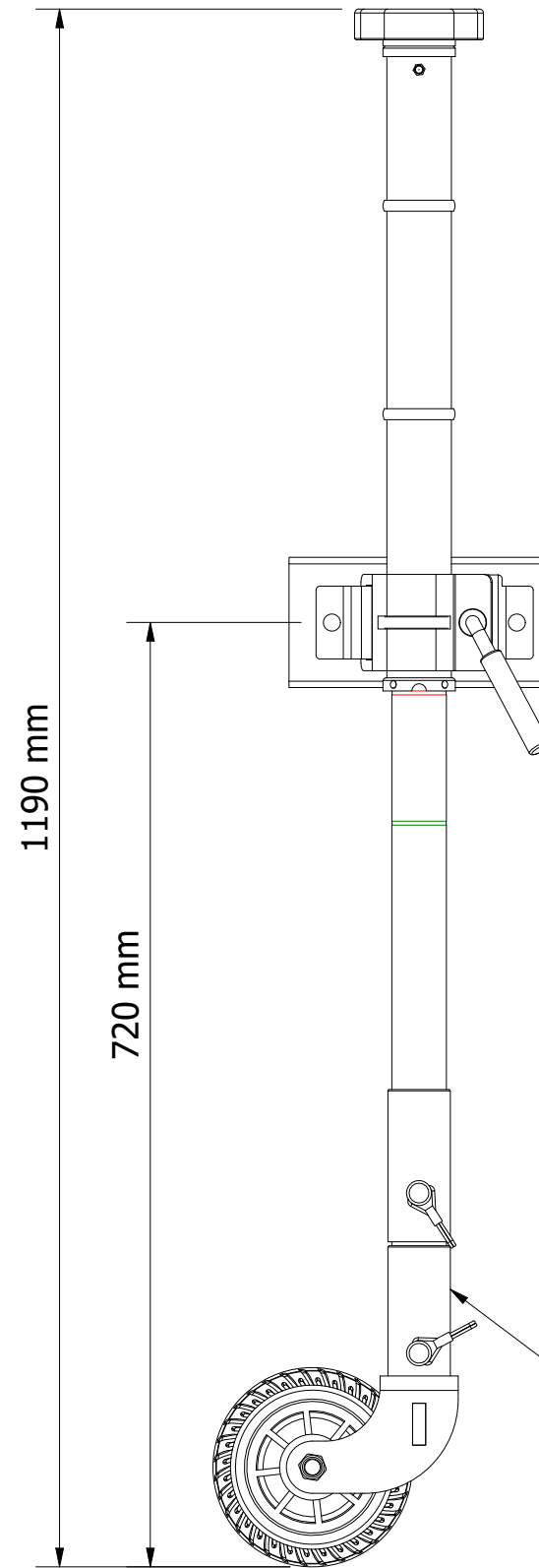
RETRACTED



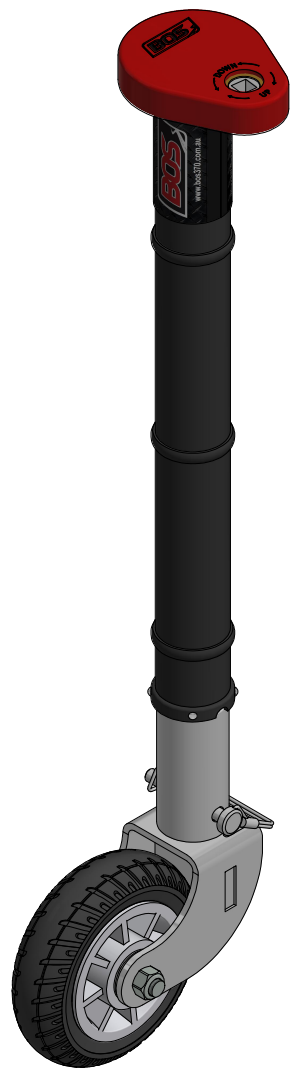
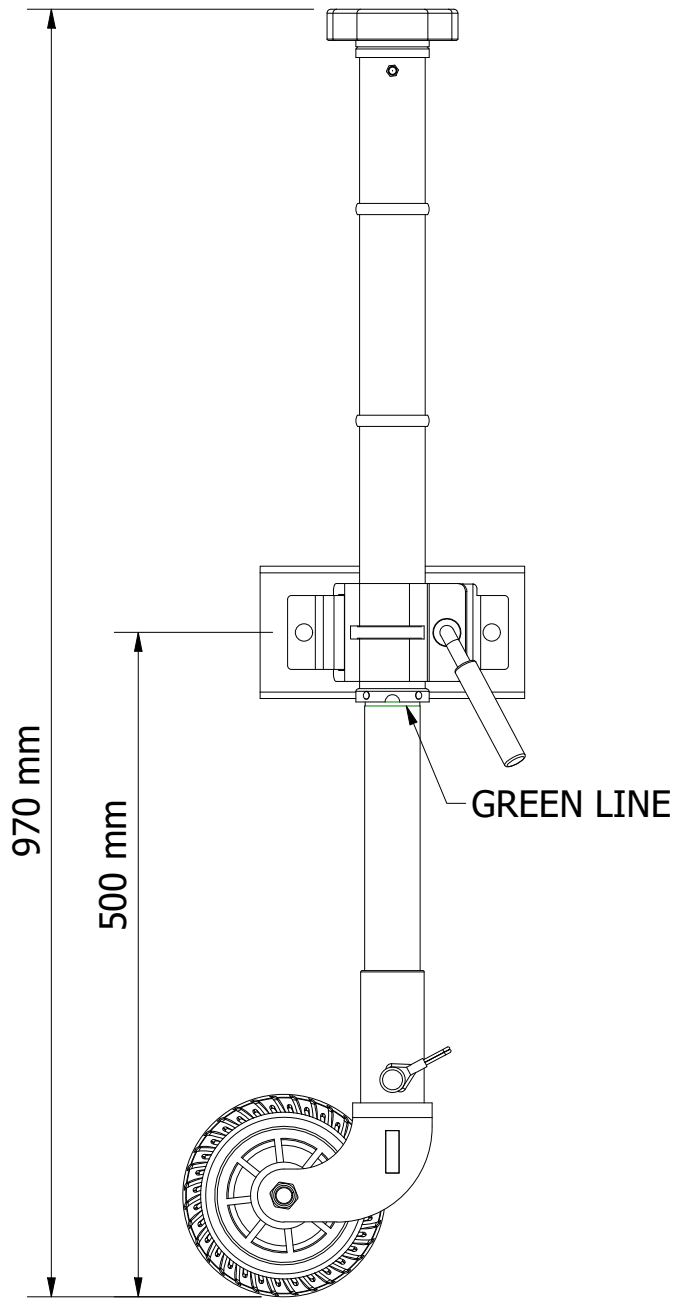
EXTENDED



EXTENDED WITH 120mm EXTENSION



MOVING AROUND

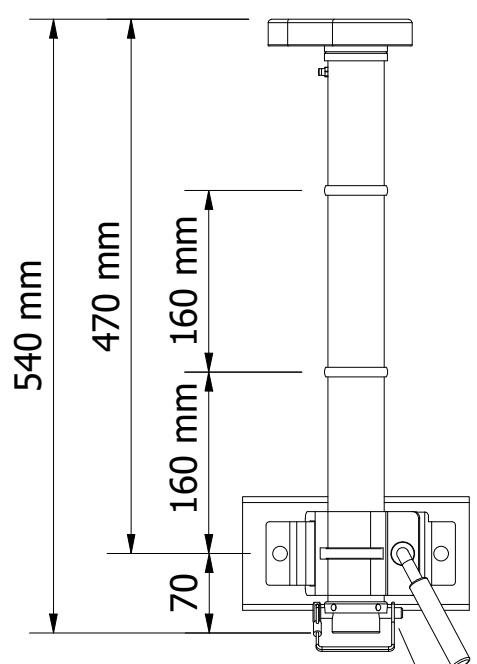


Travel made easy 

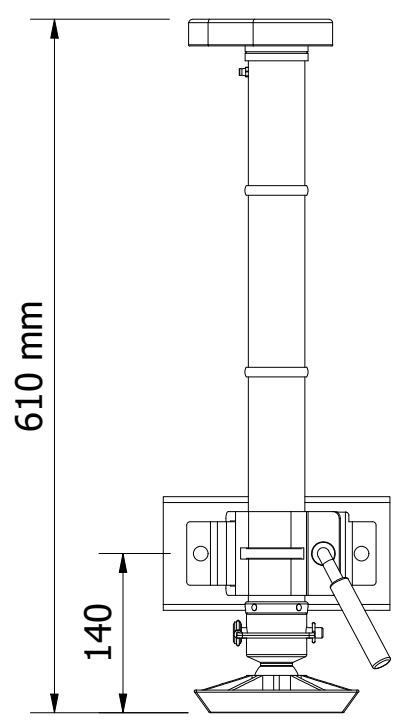
JOCKEY 500 UNIT 3 RIB

MAXIMUM LIFT DETAILS

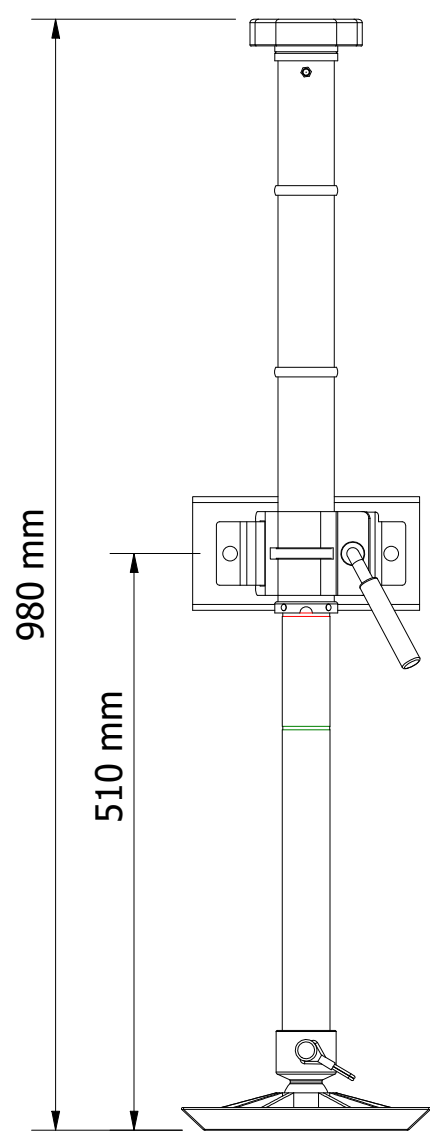
TRAVEL POSITION



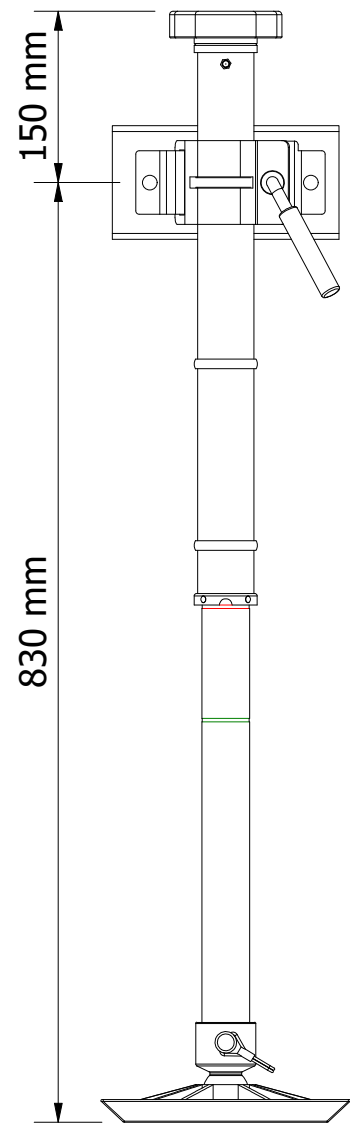
RETRACTED



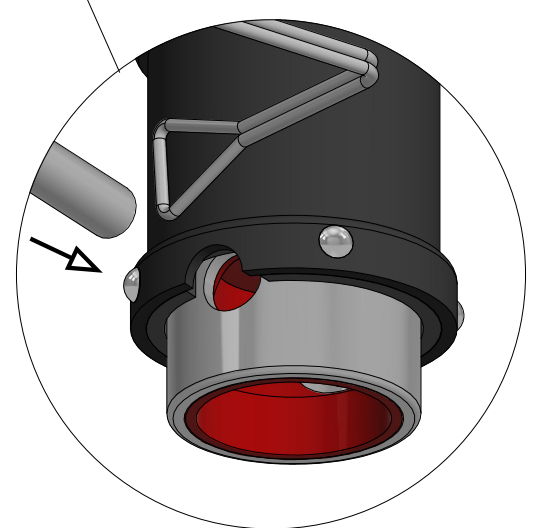
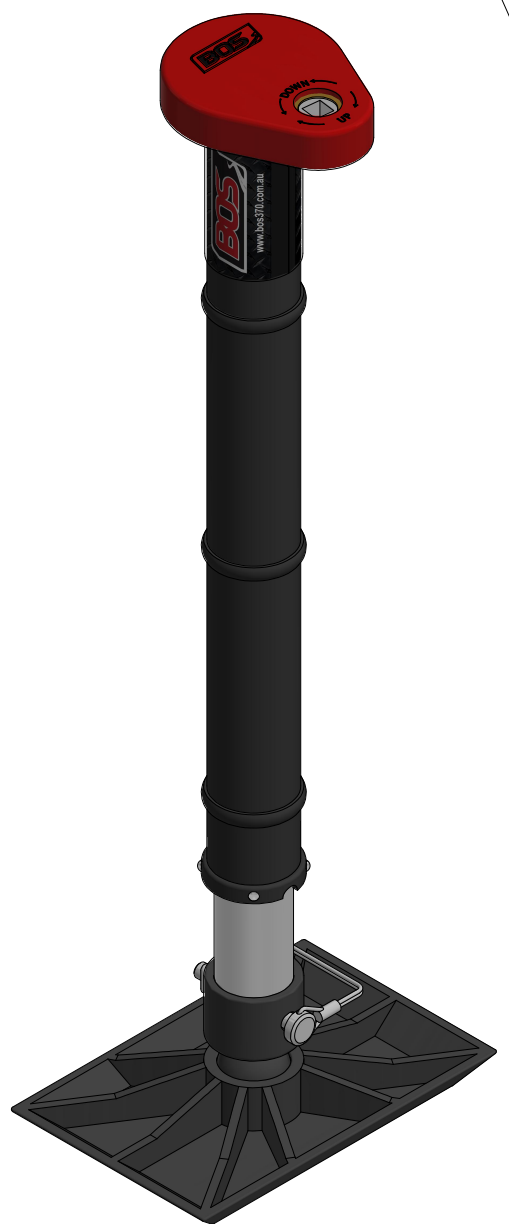
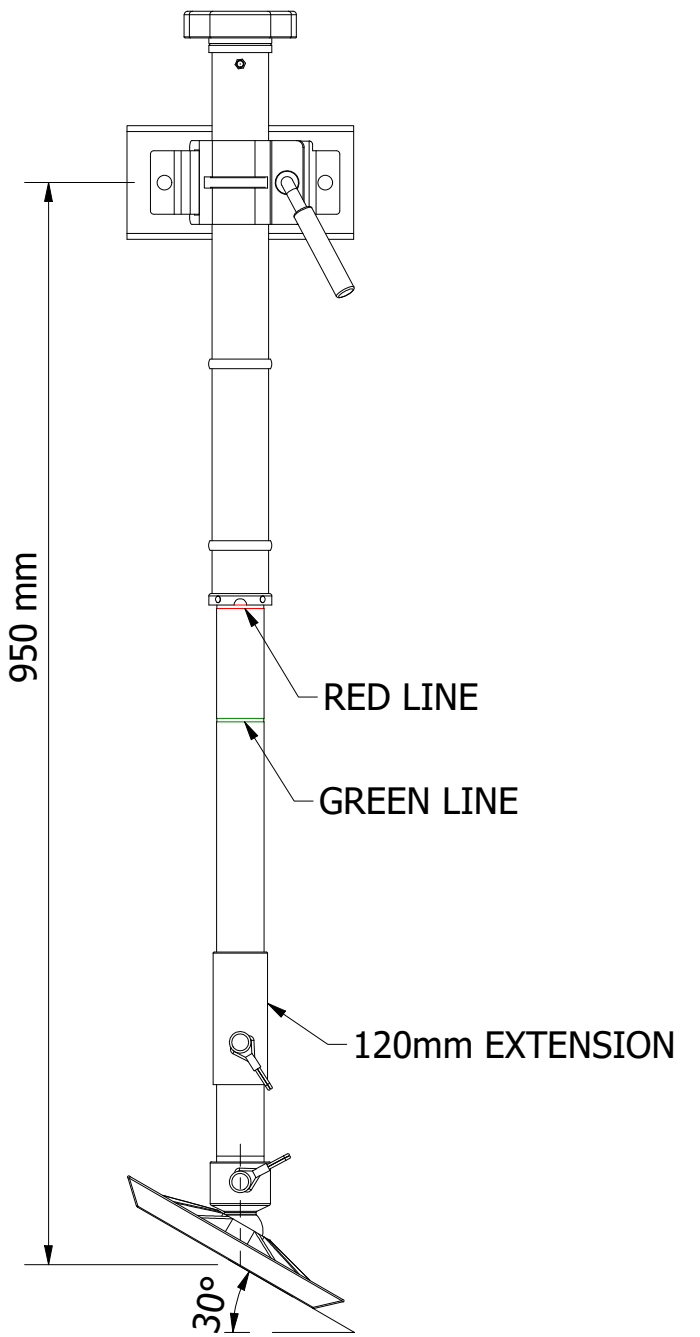
MAXIMUM EXTENSION



MAXIMUM LIFT



MAXIMUM LIFT & SLOPE WITH 120mm EXTENSION



FULLY RETRACTED WITH LYNCH PIN TO LEAVE ON WHILE TRAVELLING



Travel made easy