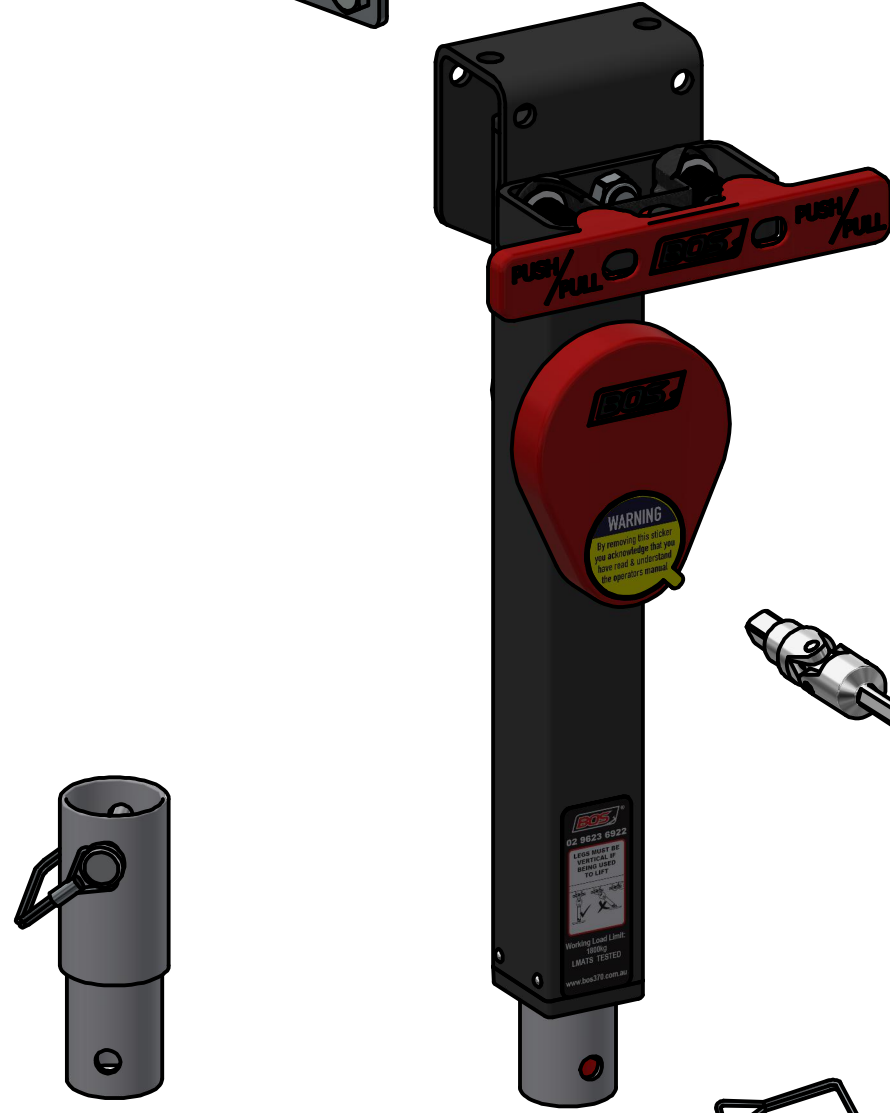
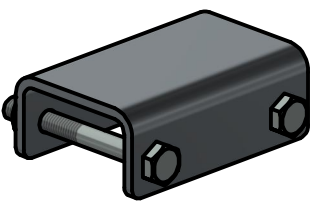
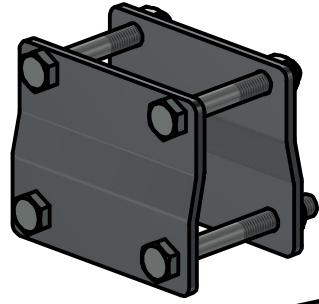


# 440-050 STABILISER LEG 500

ACCESSORIES OPTIONS

BOLT THROUGH CHASSIS BRACKET  
010-041

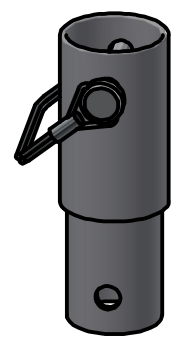
WELD ON U-BRACKET  
010-040



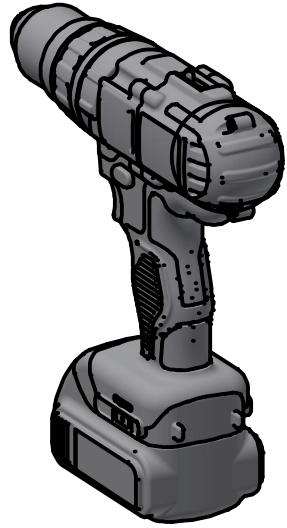
UNI-JOINT ASSEMBLY



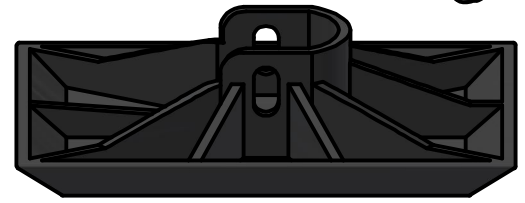
EXTENSION PIPE



YOUR HAND DRILL  
MUST BE WITH CLUTCH AND MINIMUM 45Nm



BASE PLATE



*Travel made easy* 