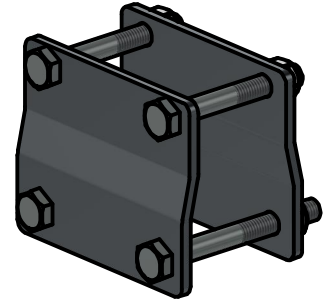


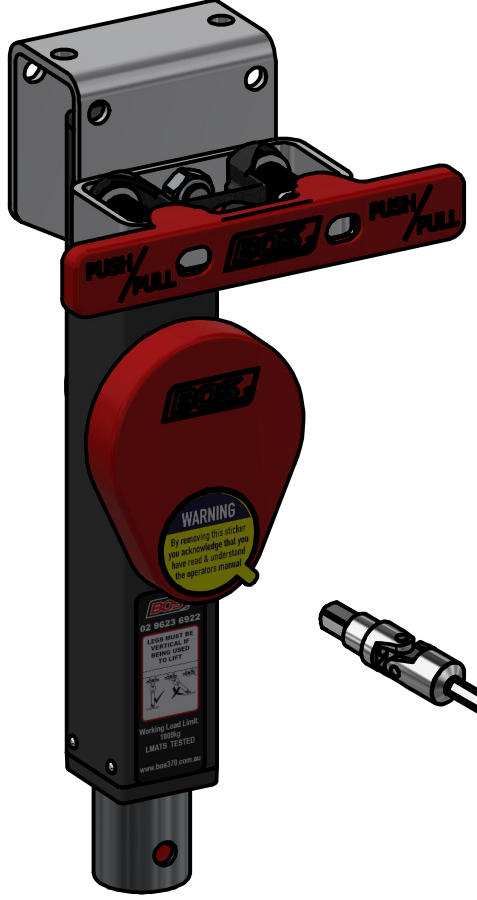
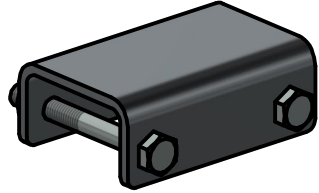
# 440-040 STABILISER LEG 400

ACCESSORIES OPTIONS

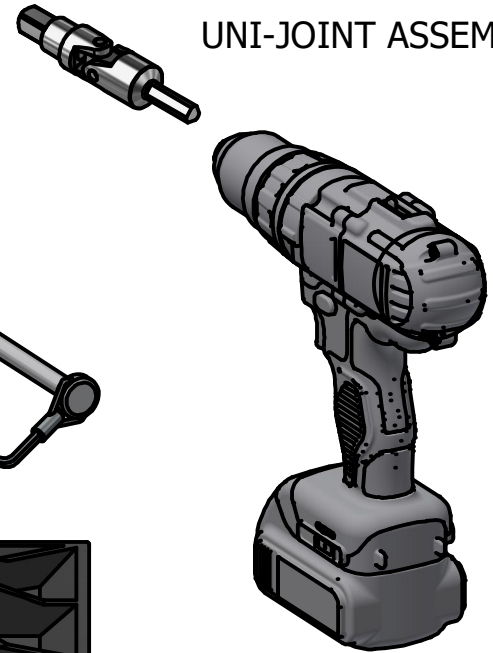
BOLT THROUGH CHASSIS BRACKET  
010-041



WELD ON U-BRACKET  
010-040

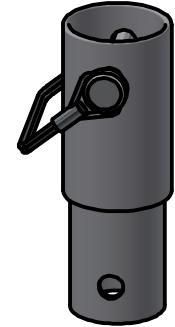


UNI-JOINT ASSEMBLY

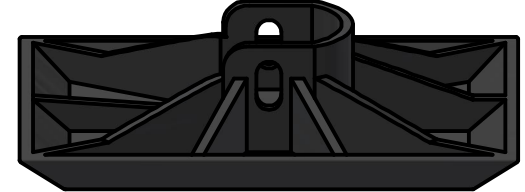


YOUR HAND DRILL  
MUST BE WITH CLUTCH AND MINIMUM 45Nm

EXTENSION PIPE



BASE PLATE



*Travel made easy* 