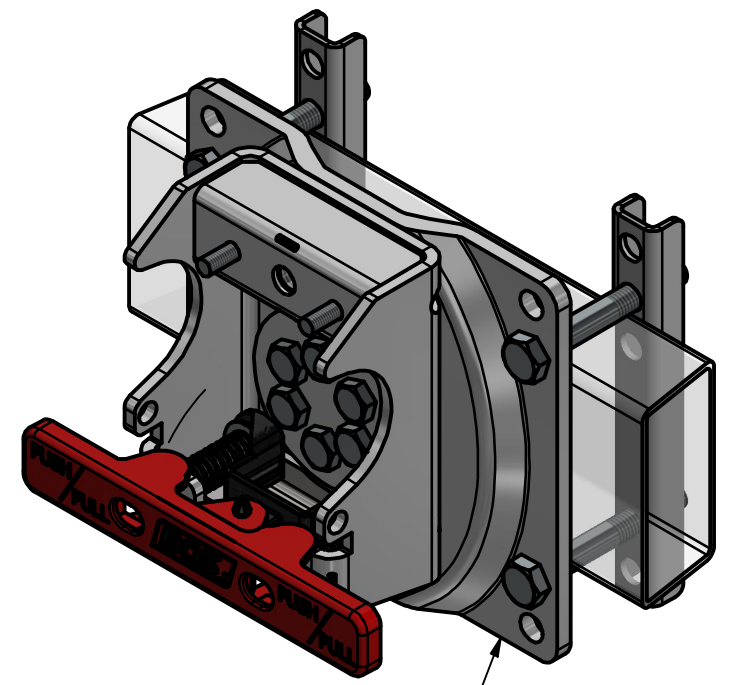
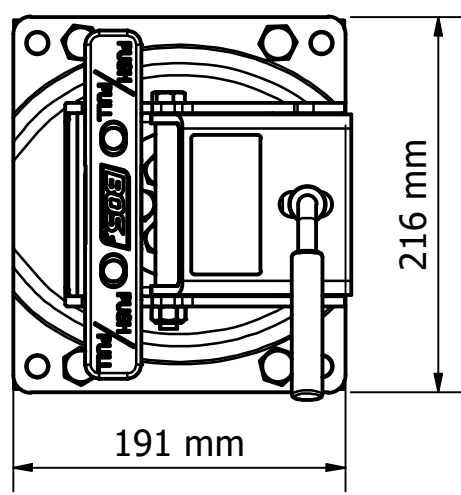
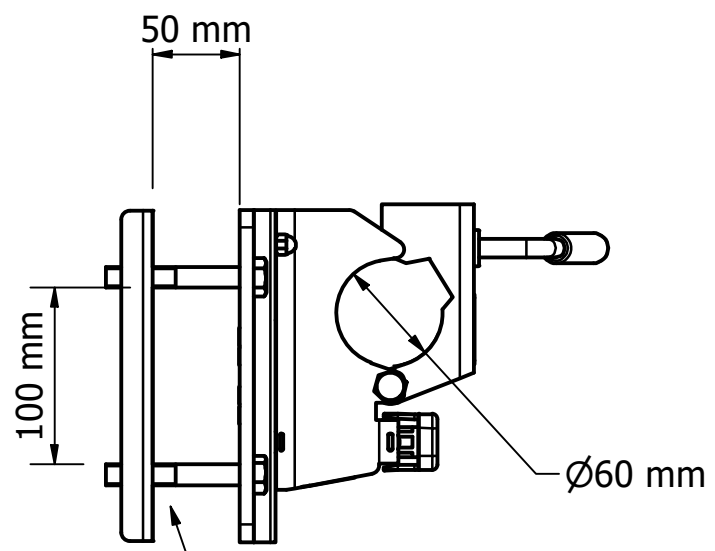
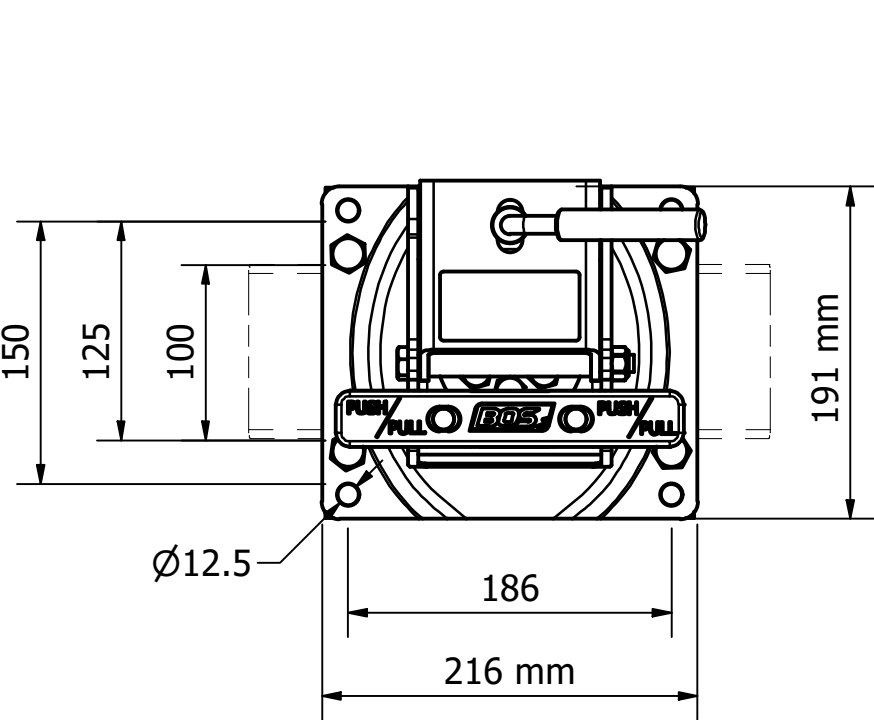
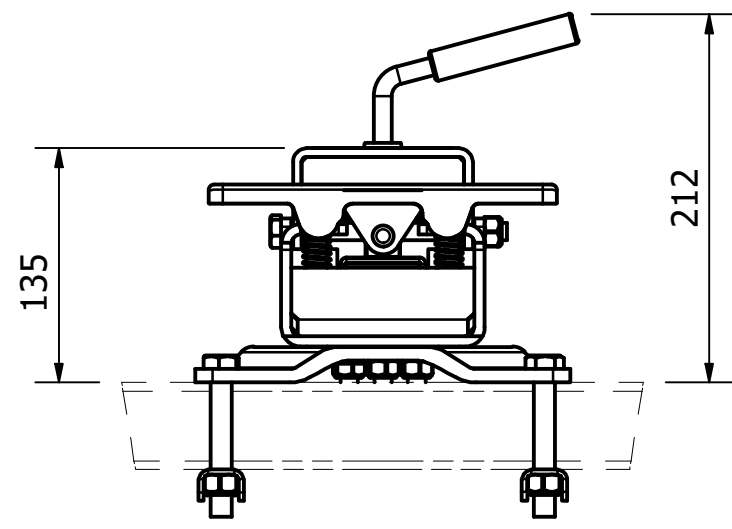


BLACK OPS STANDARD MANUAL WITH SWING AWAY

SWING AWAY DETAIL

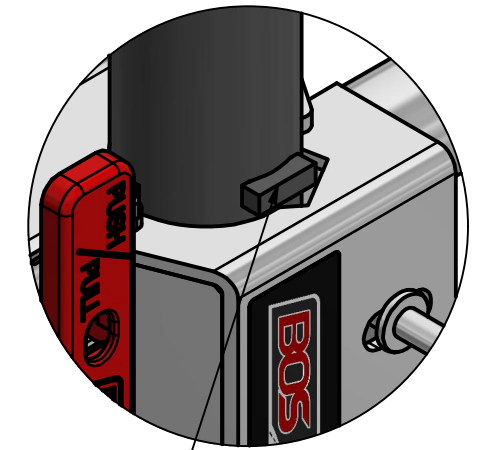
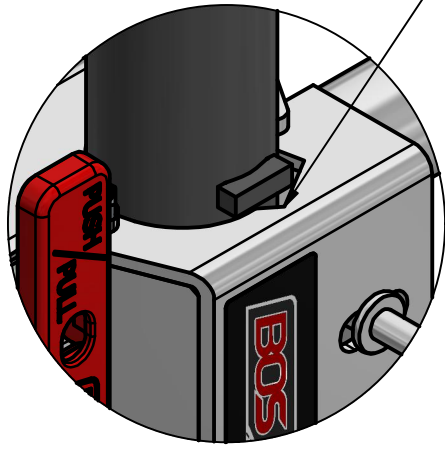


350-010

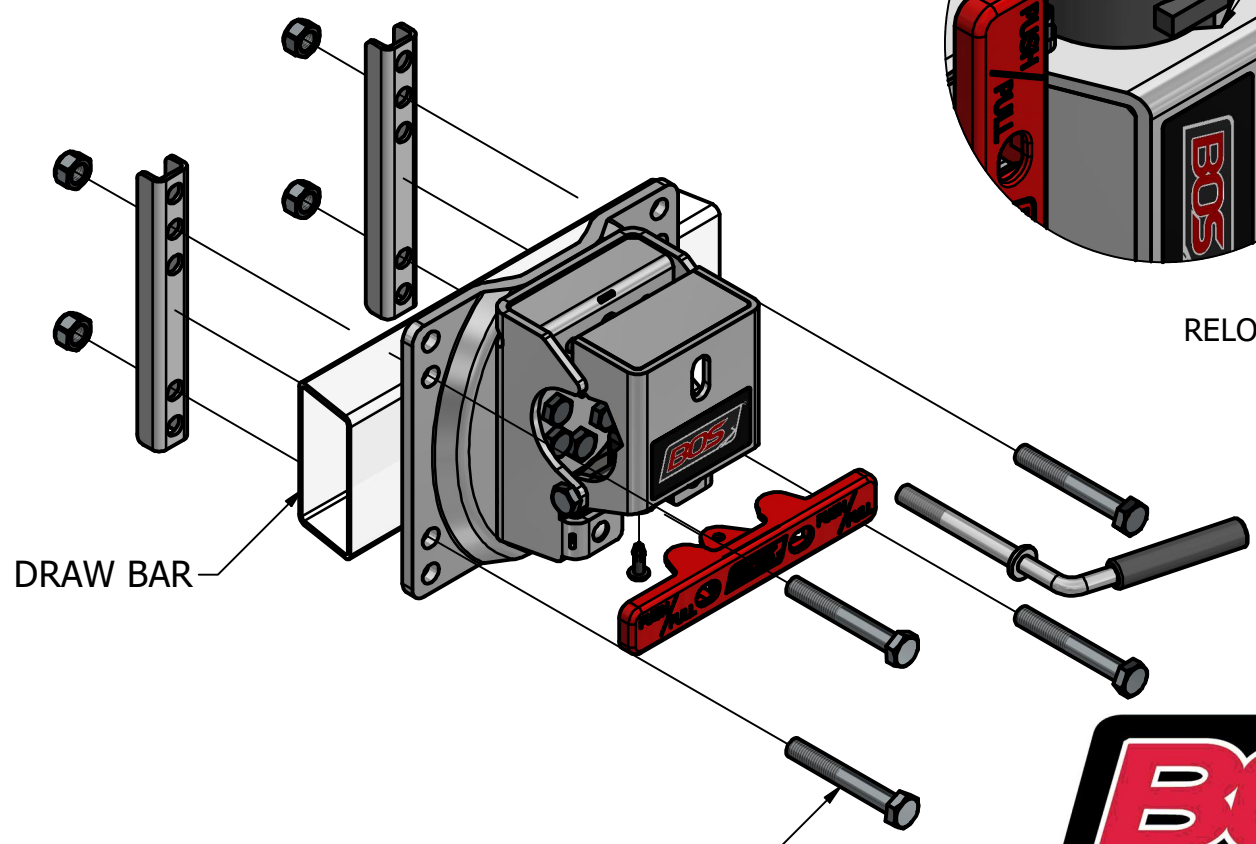


SUITABLE SPACE FOR 100/125/150 DRAW BAR

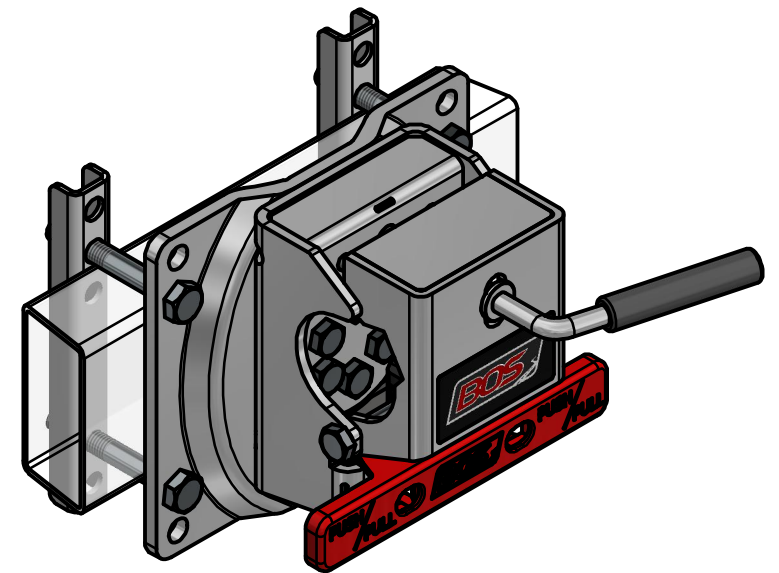
LUG CLEARANCE CUTOUT
LOOSEN CLAMP TO ADJUST UNIT
NO NEED TO FULLY OPEN CLAMP TO ADJUST HEIGHT



RELOCATE LUG AWAY FROM CUTOUT
BEFORE CLOSING THE CLAMP



LONGER M12x100 BOLT OPTION 010-063
FOR WIDER (125mm) FRAME



Travel made easy